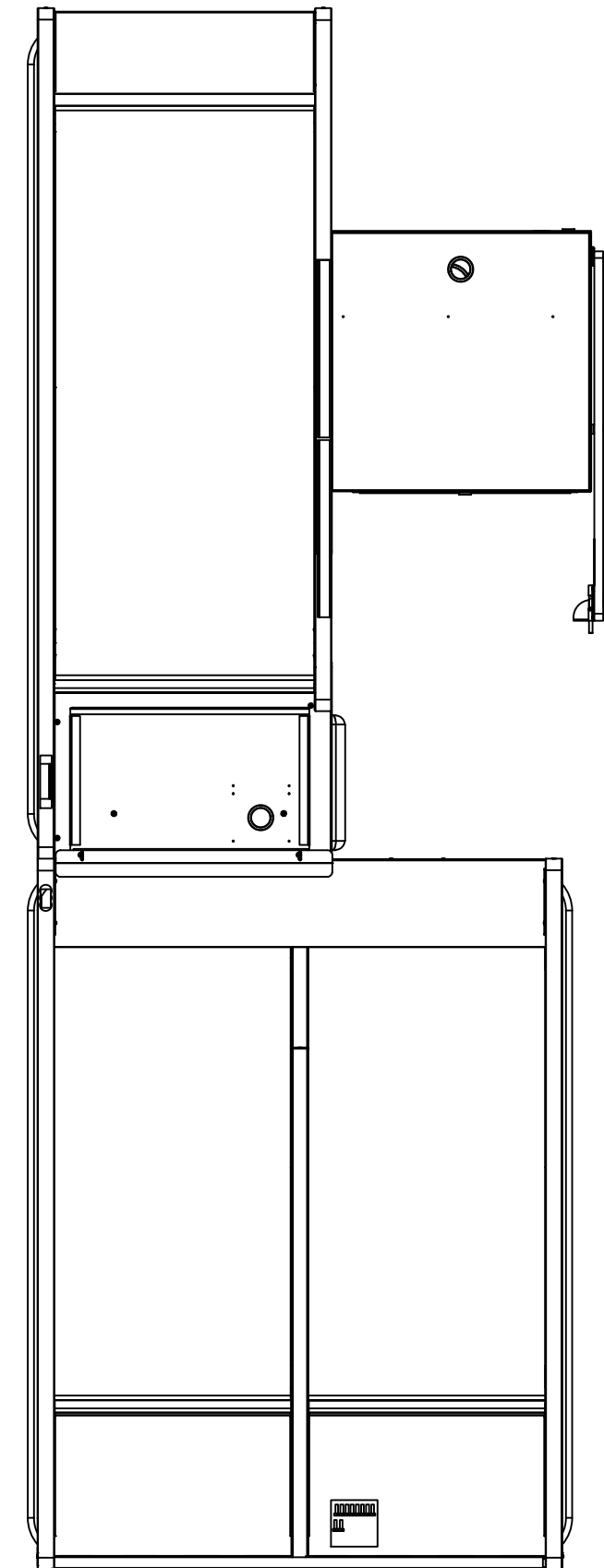
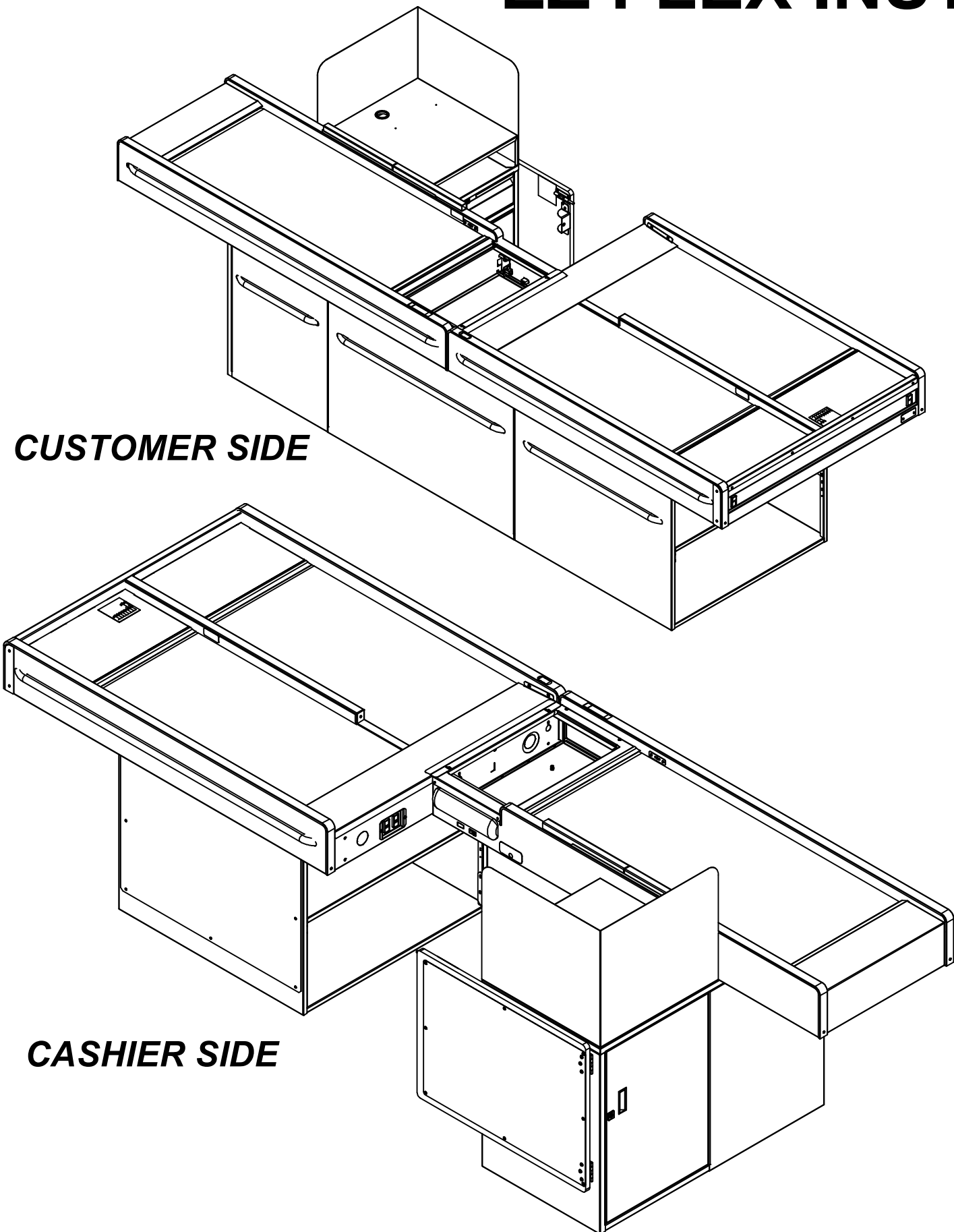


EZ FLEX INSTRUCTIONS



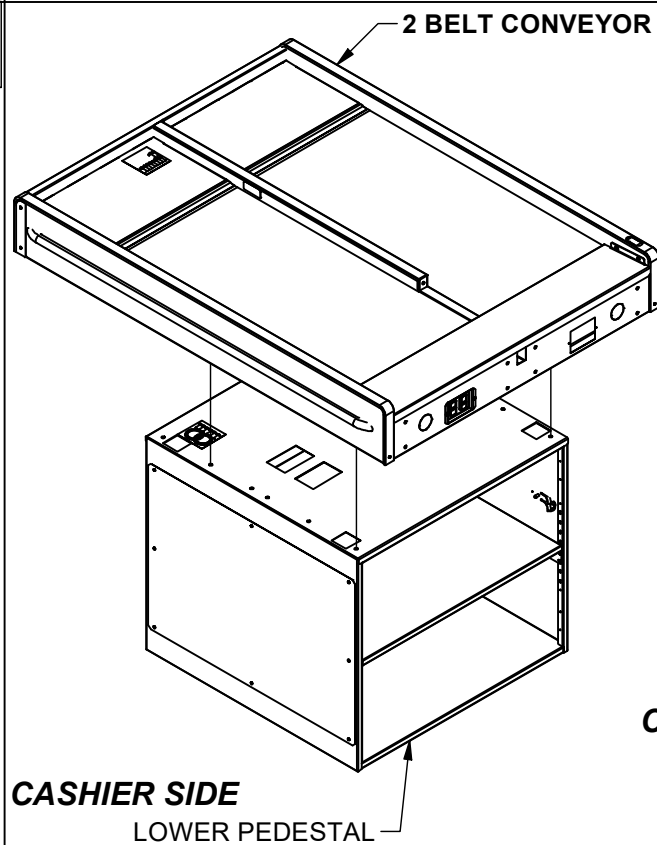
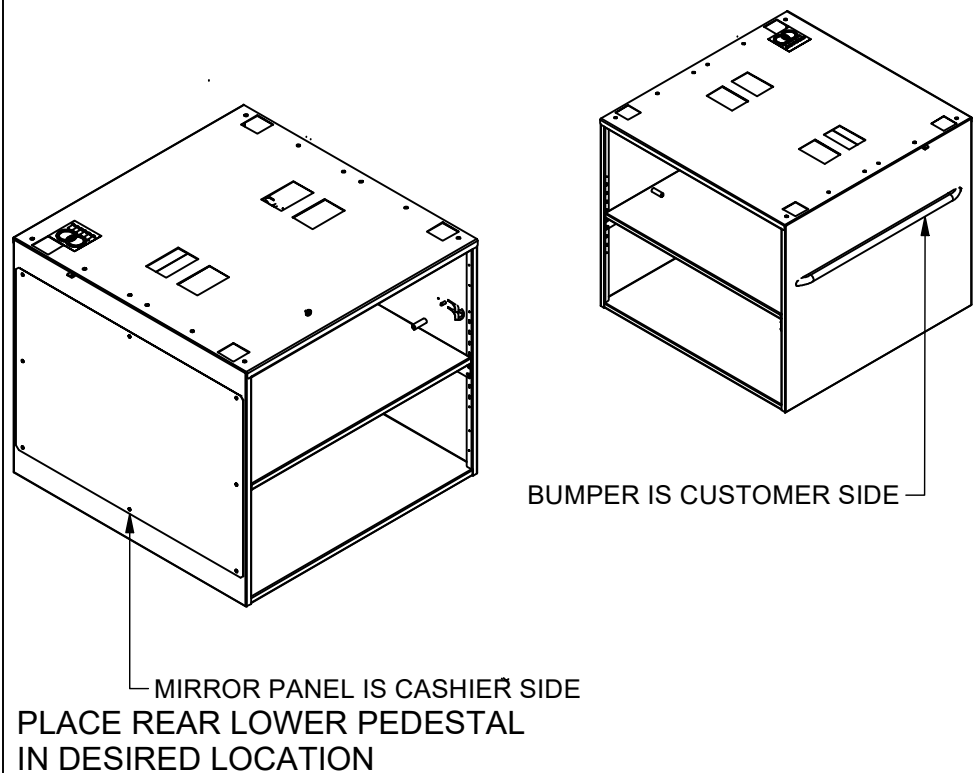
The contents of this drawing are the exclusive property of Pan-Oston, and are for the use of the customer for whom they were created. Any reproduction or disclosure thereof without the written consent of Pan-Oston, is strictly prohibited.

FIRST ANGLE PROJ.	DRAWN	2025-06-24	ALL DIMENSIONS ARE IN MILLIMETERS, ANSI Y14.5 ST. STL. PARTS PAPERSIDE UP UNLESS OTHERWISE NOTED
SHEAR DIMS LENGTH N/A	FIRST USED		DESCRIPTION: EZ FLEX INSTALLATION
	OPPOSITE DWG		MATERIAL
	REFERENCE DWG	<i>Pan-Oston</i>	DWG NO
WIDTH	PAINT ZONE		REV
		TITLE: LANE SETUP	SHEET 1 OF 7

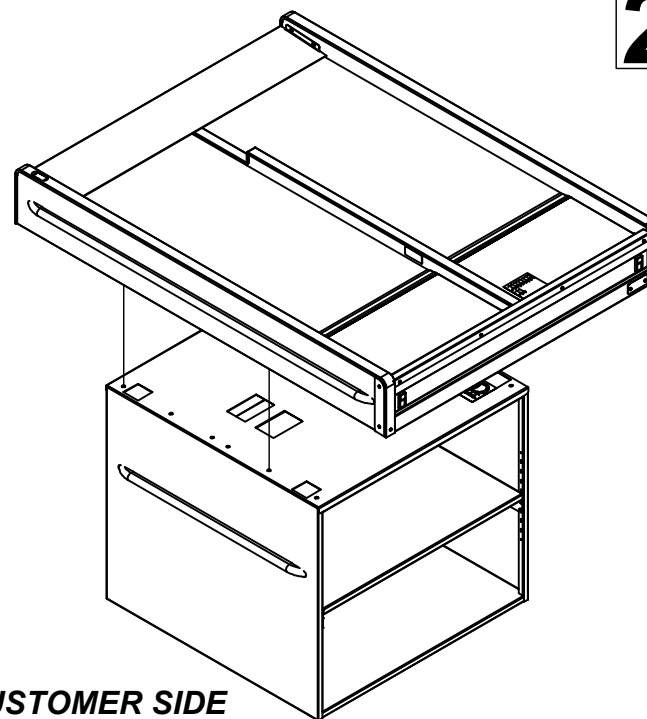
EZ FLEX INSTALLATION

LOWER PEDESTAL

1

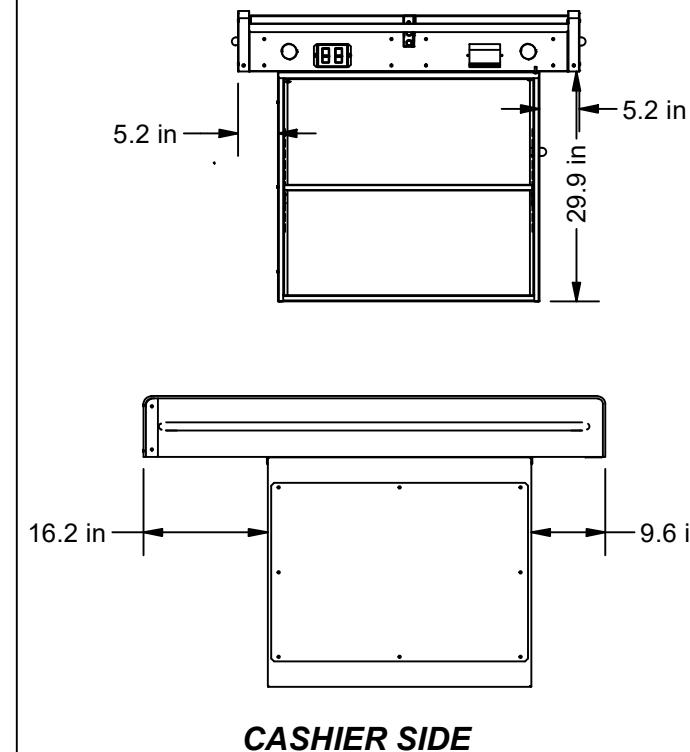


2



CUSTOMER SIDE

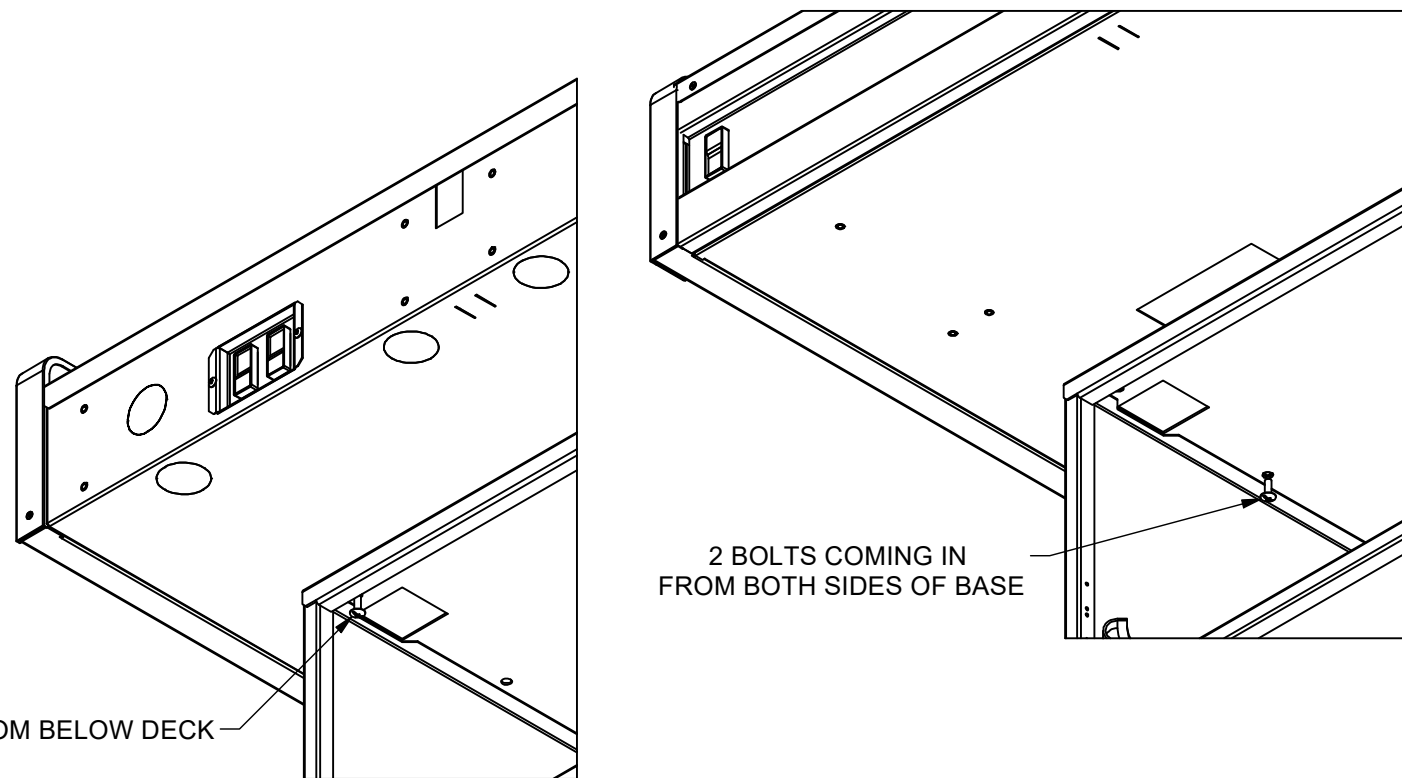
PLACE REAR CONVEYOR
USE MEASUREMENTS TO ASSIST IN LINING
HOLES FOR BOLTS FROM BOTTOM



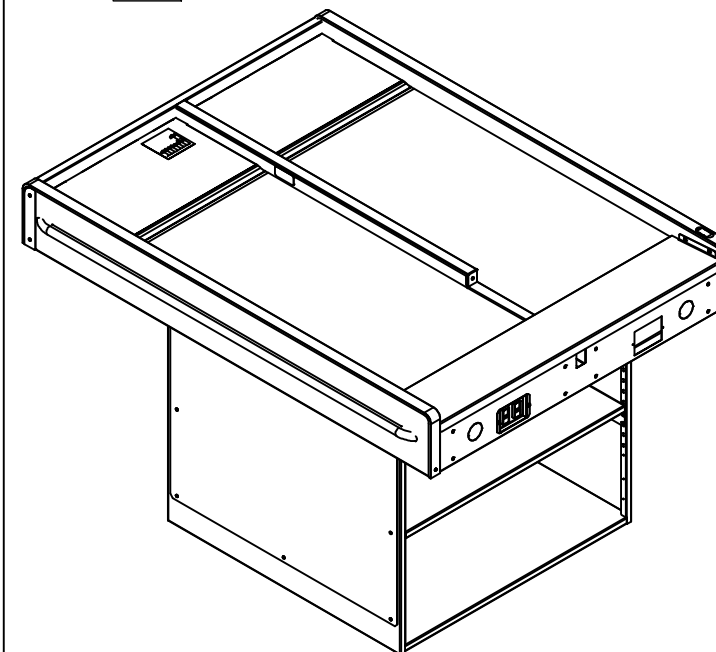
CASHIER SIDE

3

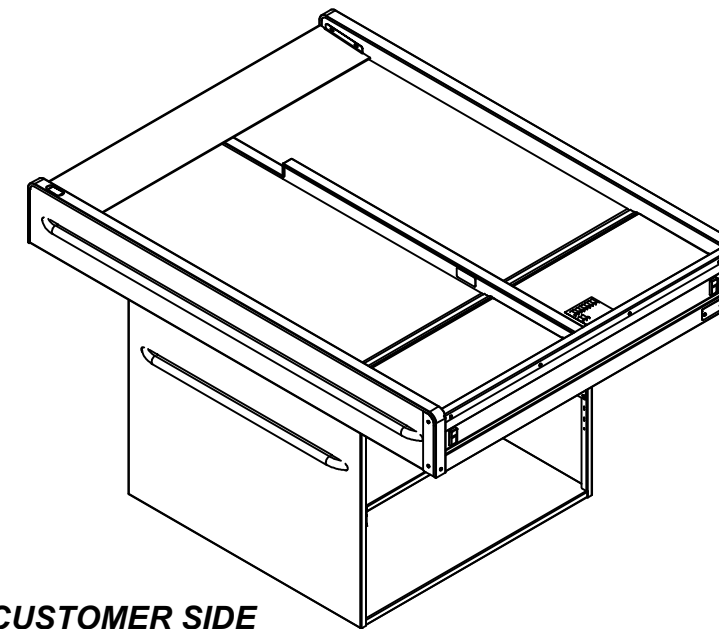
REAR CONVEYOR



USE THE BOLTS TO FASTEN TOP TO BASE
(4 LOCATIONS)



CASHIER SIDE

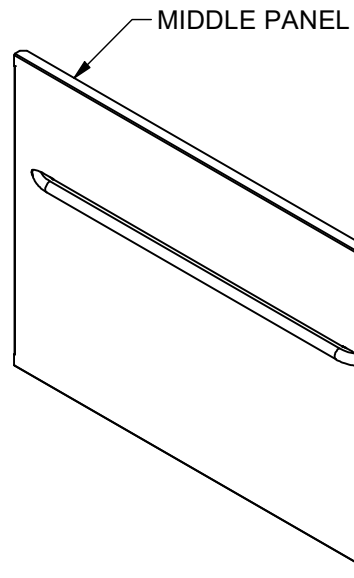
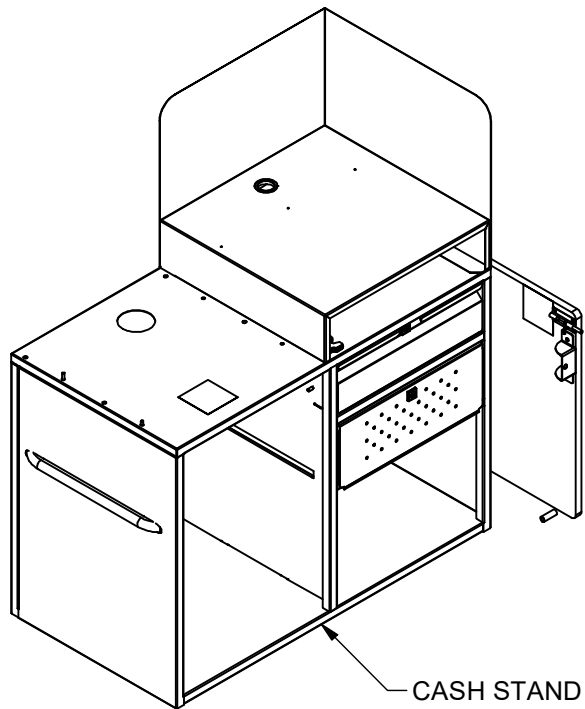


CUSTOMER SIDE

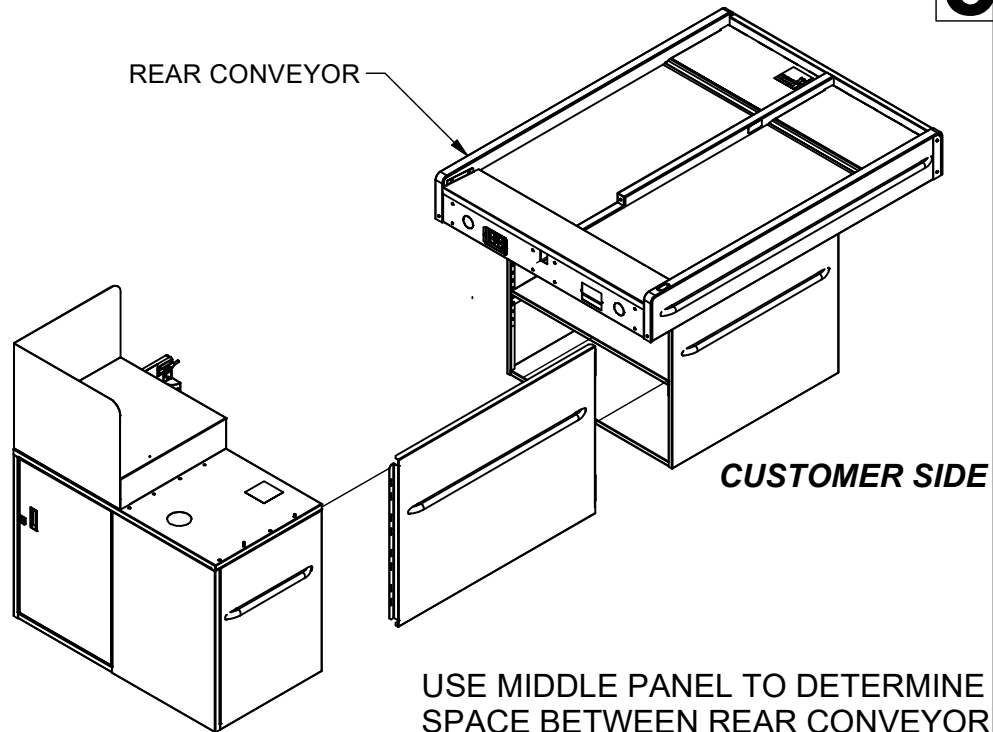
The contents of this drawing are the exclusive property of Pan-Oston, and are for the use of the customer for whom they were created. Any reproduction or disclosure thereof without the written consent of Pan-Oston, is strictly prohibited.

FIRST ANGLE PROJ.	DRAWN	2025-06-24	ALL DIMENSIONS ARE IN MILLIMETERS, ANSI Y14.5 ST. STL. PARTS PAPERSIDE UP UNLESS OTHERWISE NOTED	
SHEAR DIMS	FIRST USED		DESCRIPTION: EZ FLEX INSTALLATION	
LENGTH	OPPOSITE DWG		MATERIAL	DWG NO
N/A	REFERENCE DWG			REV
WIDTH	PAINT ZONE		Pan-Oston	
			TITLE: LANE SETUP	SHEET 2 OF 7

4

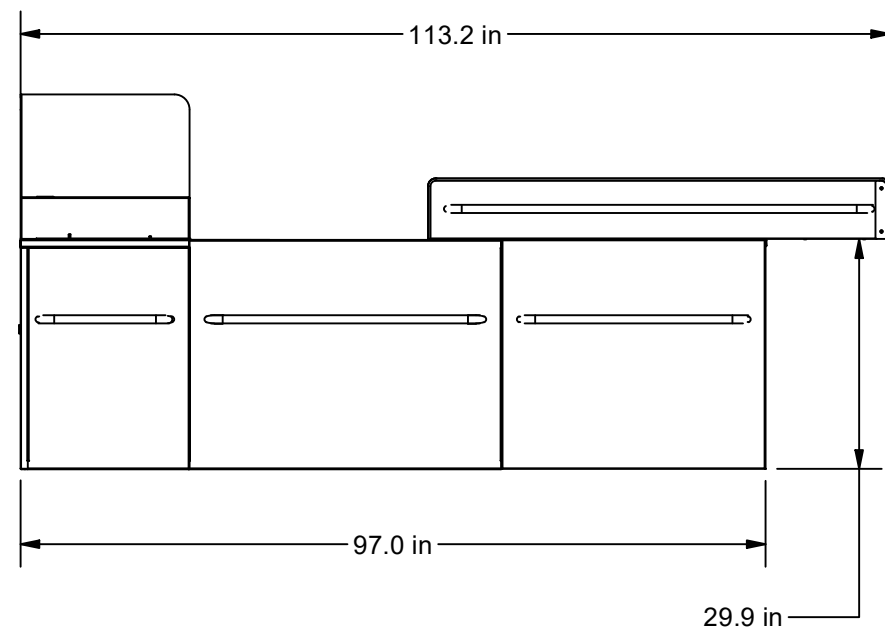


REAR CONVEYOR

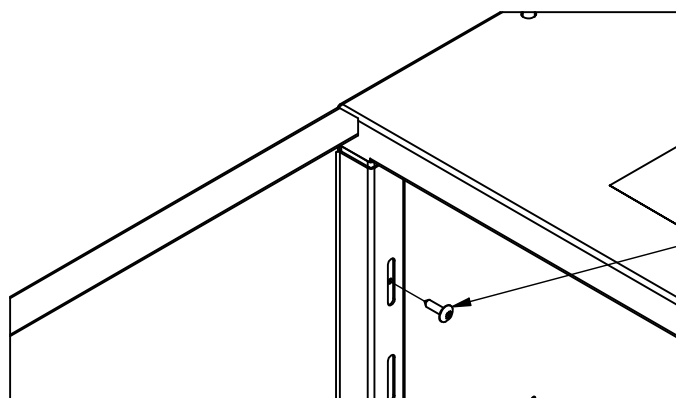


USE MIDDLE PANEL TO DETERMINE SPACE BETWEEN REAR CONVEYOR AND CASH STAND

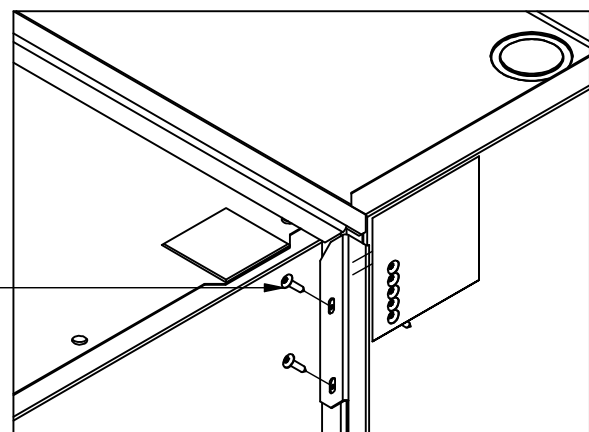
5



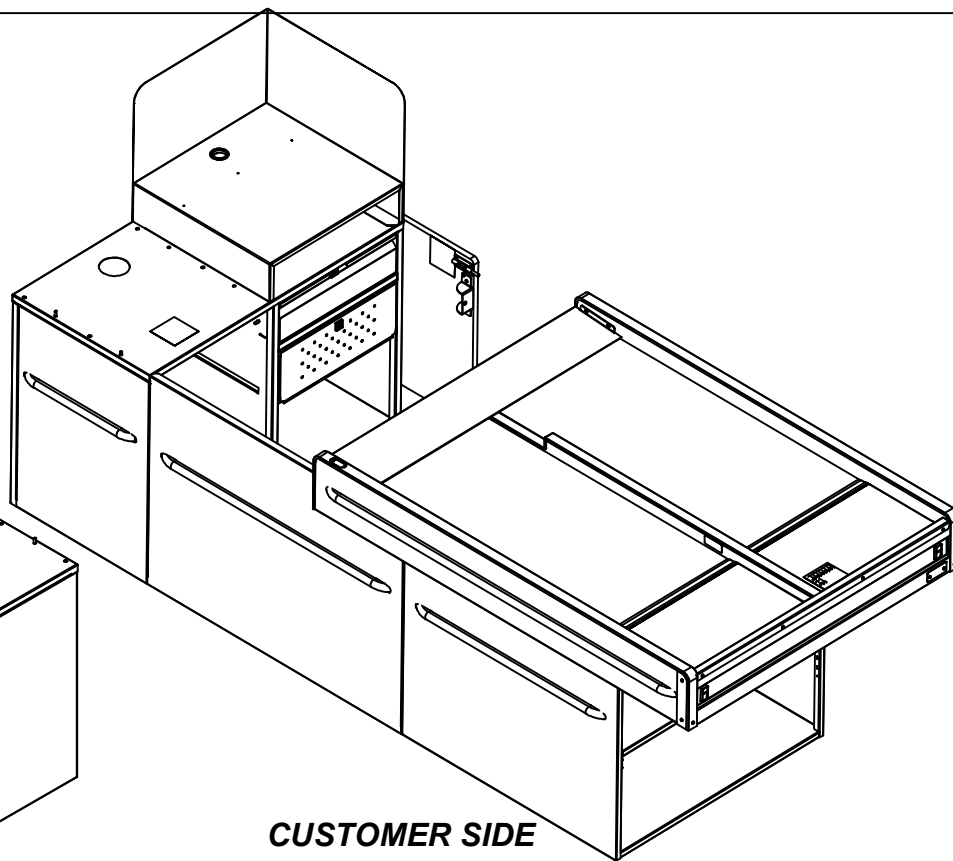
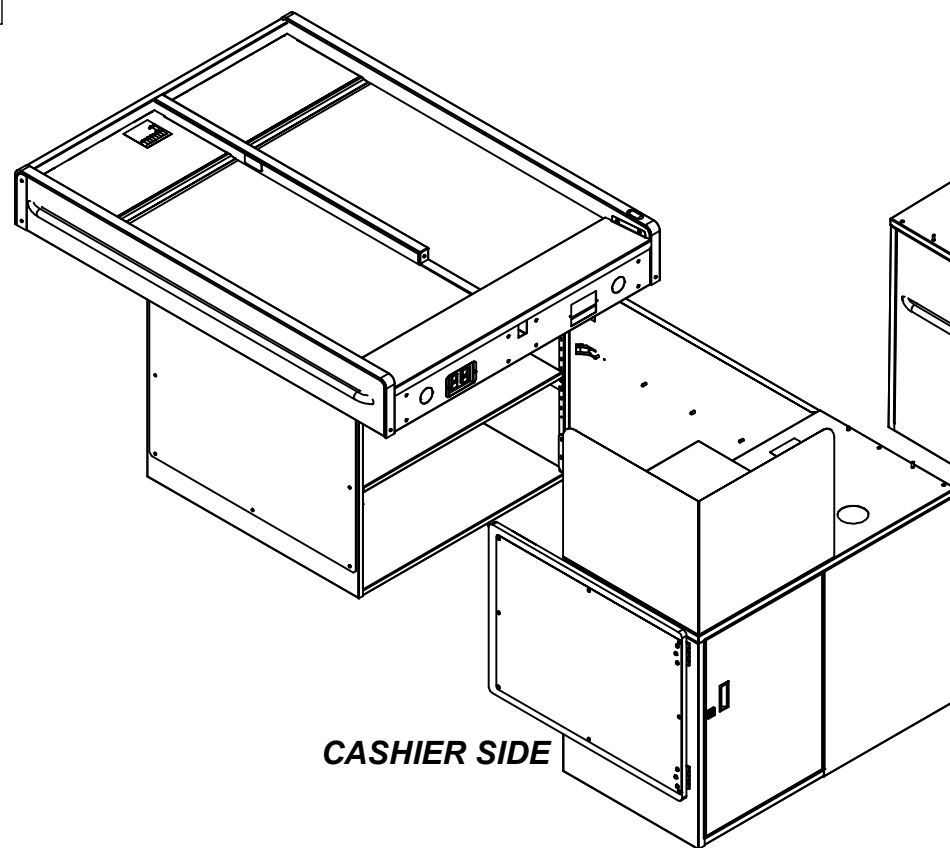
6



SCREW PANEL TO CASH UNDERNEATH (2 LOCATIONS)



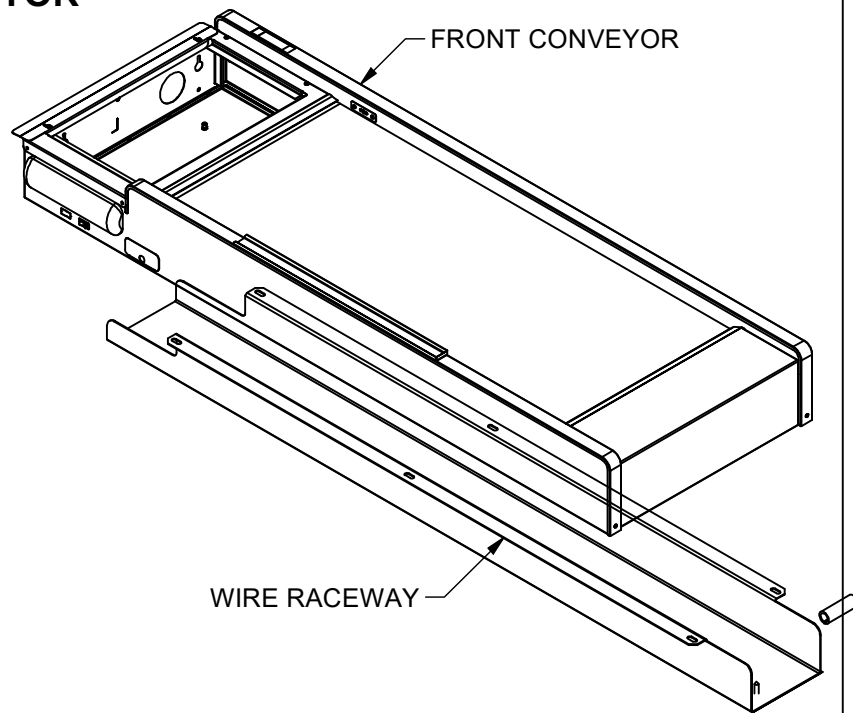
SCREW PANEL TO REAR UNDERNEATH (4 LOCATIONS)



FIRST ANGLE PROJ.	DRAWN	2025-06-24	ALL DIMENSIONS ARE IN MILLIMETERS, ANSI Y14.5 ST. STL. PARTS PAPERSIDE UP UNLESS OTHERWISE NOTED	
SHEAR DIMS	FIRST USED		DESCRIPTION: EZ FLEX INSTALLATION	
LENGTH	OPPOSITE DWG		MATERIAL	DWG NO
N/A	REFERENCE DWG			REV
WIDTH	PAINT ZONE		TITLE: LANE SETUP	
Pan-Oston			SHEET 3 OF 7	

7

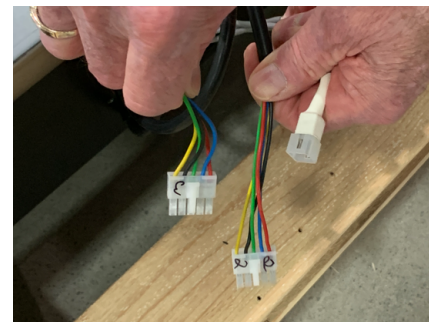
LOCATING FRONT CONVEYOR



CONNECT MOTOR WIRE #3 FROM FRONT CONVEYOR TO MOTOR WIRE #3 FROM REAR CABINET.

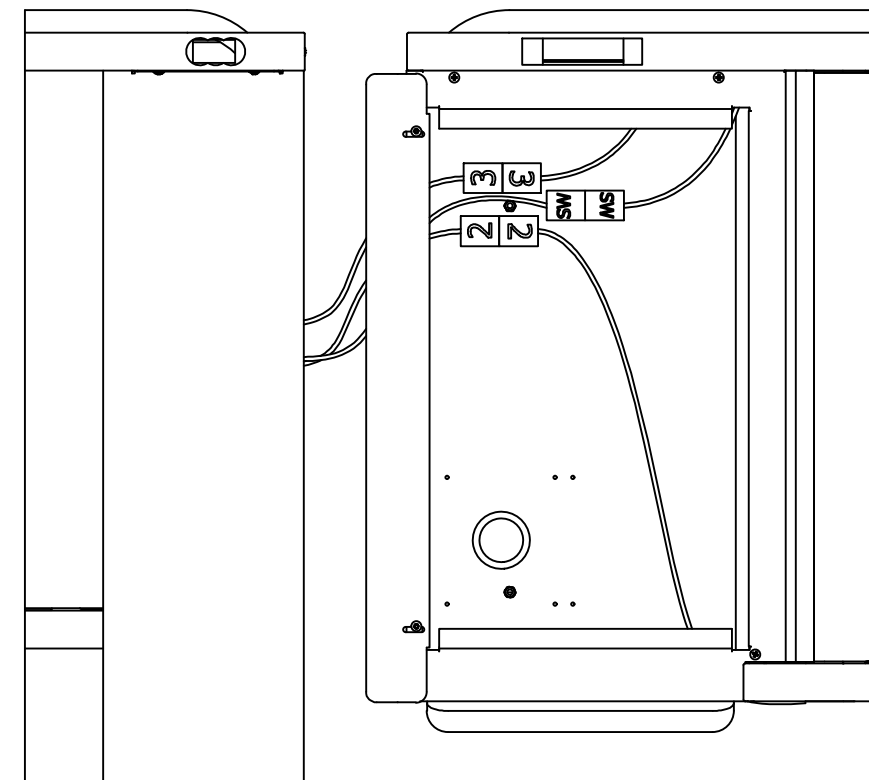
CONNECT MOTOR WIRE #2 FROM FRONT CONVEYOR TO MOTOR WIRE #2 FROM REAR CABINET.

CONNECT SWITCH WIRES FROM BOTH CABINETS.



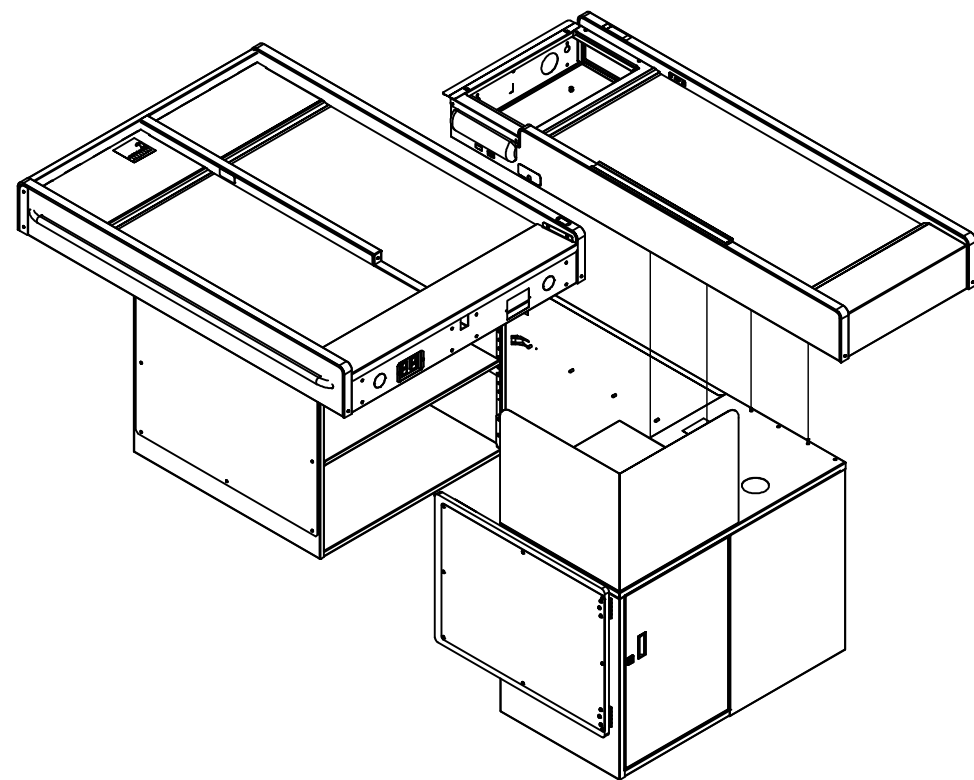
REAR CABINET

FRONT CONVEYOR

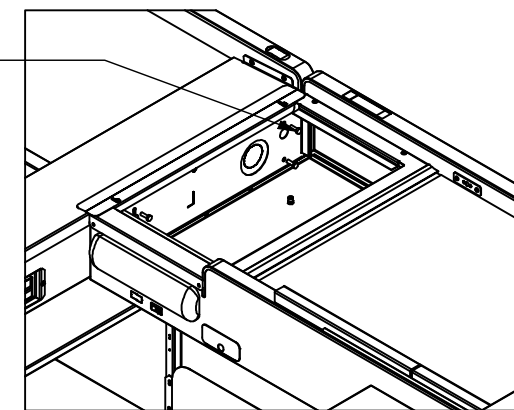
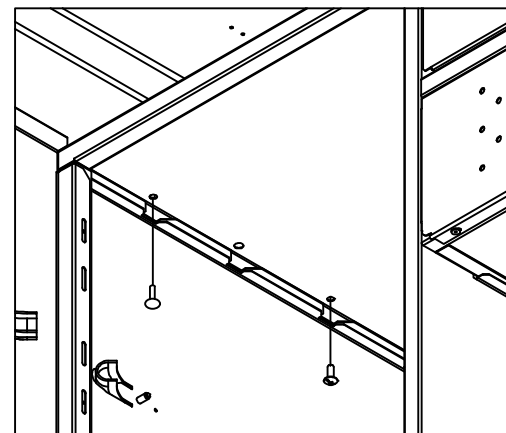


8

9



BOLT CONVEYOR TO REAR CONVEYOR THROUGH SCANNER HOLE (4 LOCATIONS)

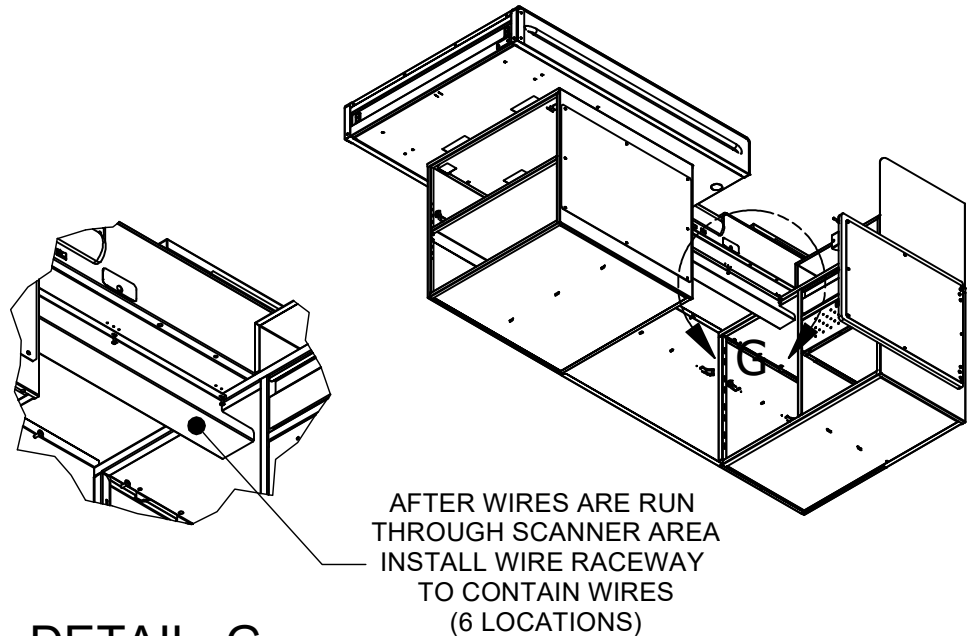


10

The contents of this drawing are the exclusive property of Pan-Oston, and are for the use of the customer for whom they were created. Any reproduction or disclosure thereof without the written consent of Pan-Oston, is strictly prohibited.

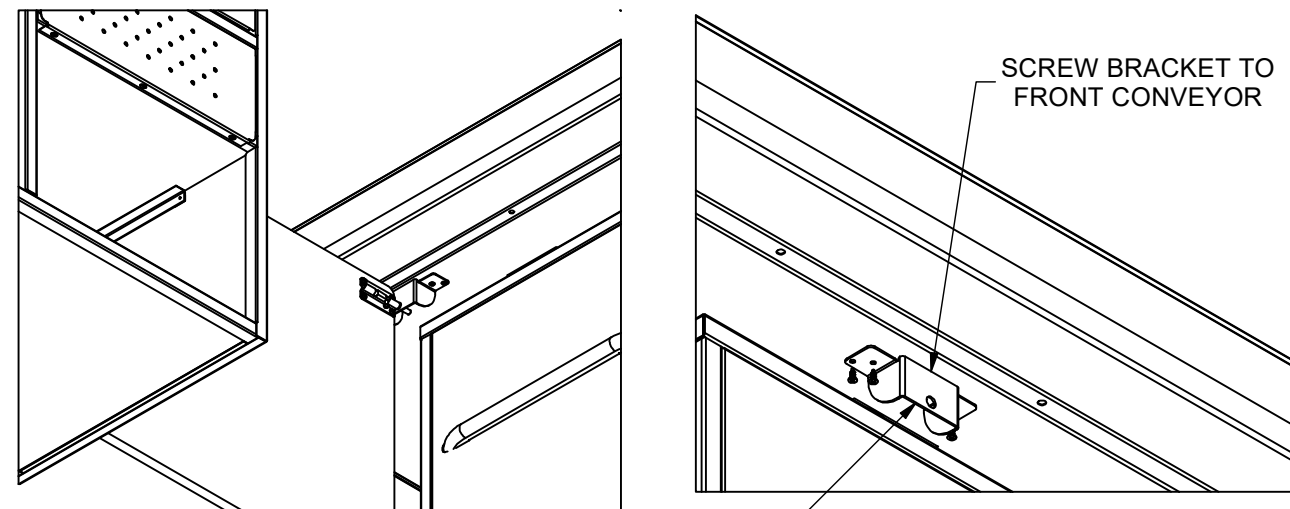
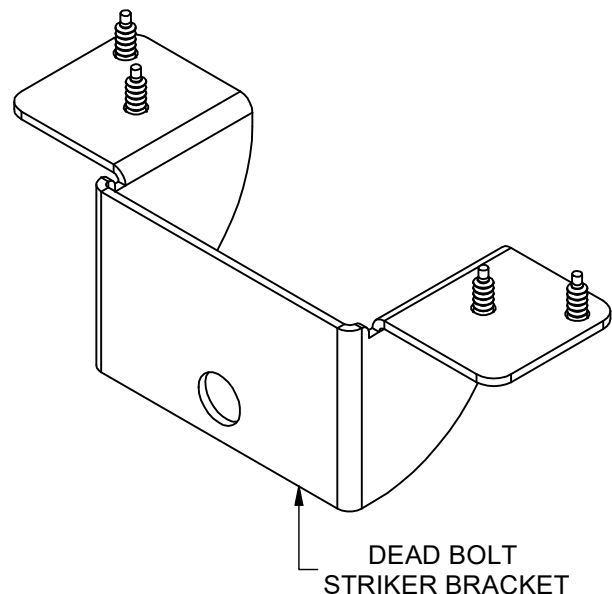
FIRST ANGLE PROJ.		DRAWN	2025-06-24	ALL DIMENSIONS ARE IN MILLIMETERS, ANSI Y14.5 ST. STL. PARTS PAPERSIDE UP UNLESS OTHERWISE NOTED
SHEAR DIMS		FIRST USED		DESCRIPTION: EZ FLEX INSTALLATION
LENGTH		OPPOSITE DWG		MATERIAL
N/A		REFERENCE DWG		DWG NO
WIDTH		PAINT ZONE		REV
			Pan-Oston	TITLE: LANE SETUP
				SHEET 4 OF 7

LOCATING STRIKER BRACKET



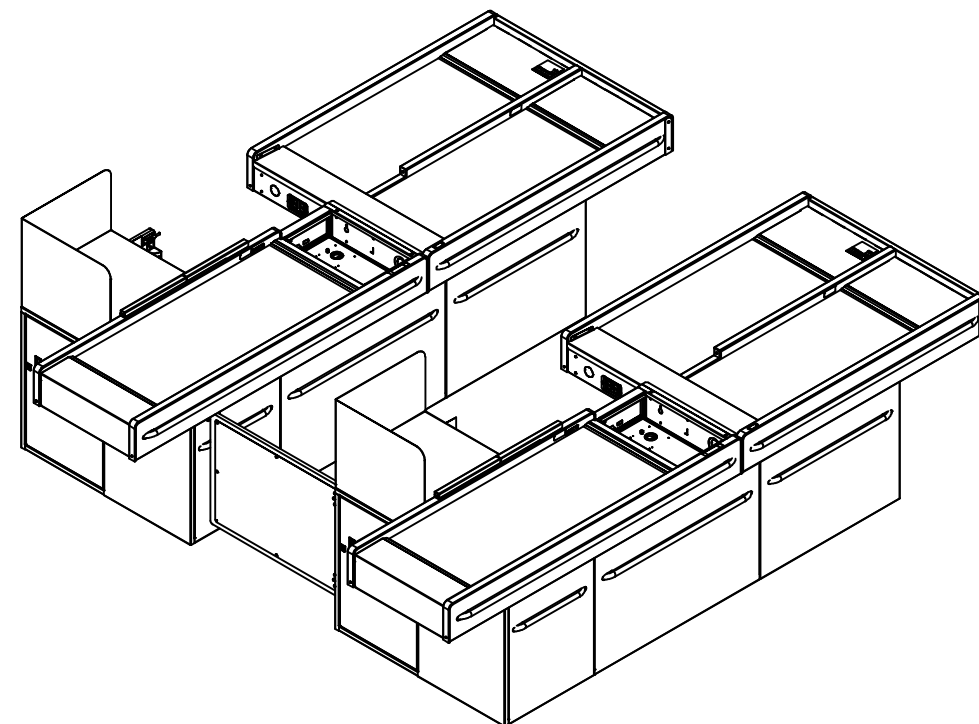
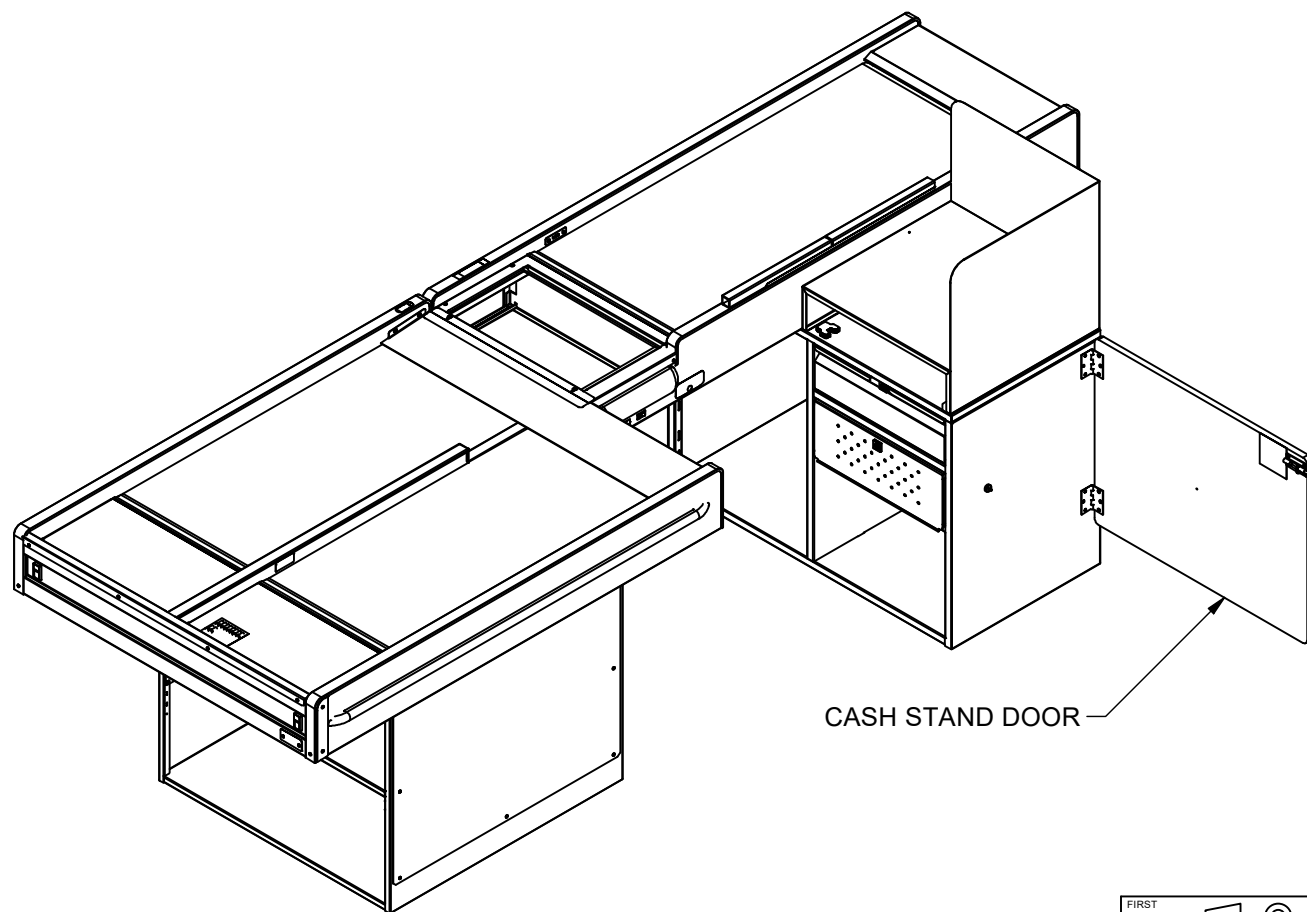
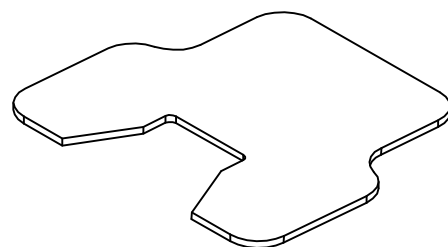
DETAIL G

BOTH VIEWS FROM BELOW THE CONVEYOR



OPEN CASH STAND DOOR TO LOCATE STRIKER BRACKET AND ALIGN WITH DEADBOLT ON DOOR FASTEN BRACKET TO OPPOSITE CONVEYOR AND FASTEN DEADBOLT TO DOOR

SHIMS USED TO LEVEL CABINETS

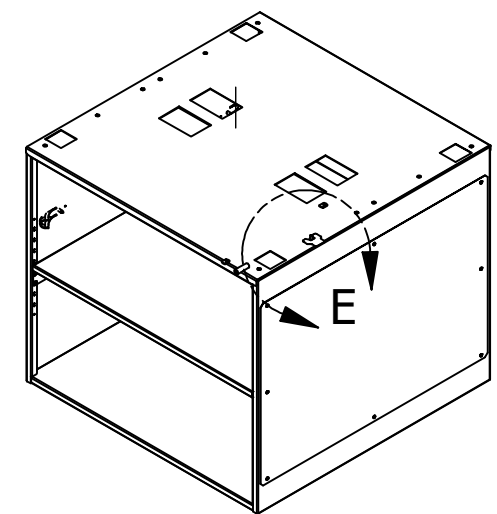
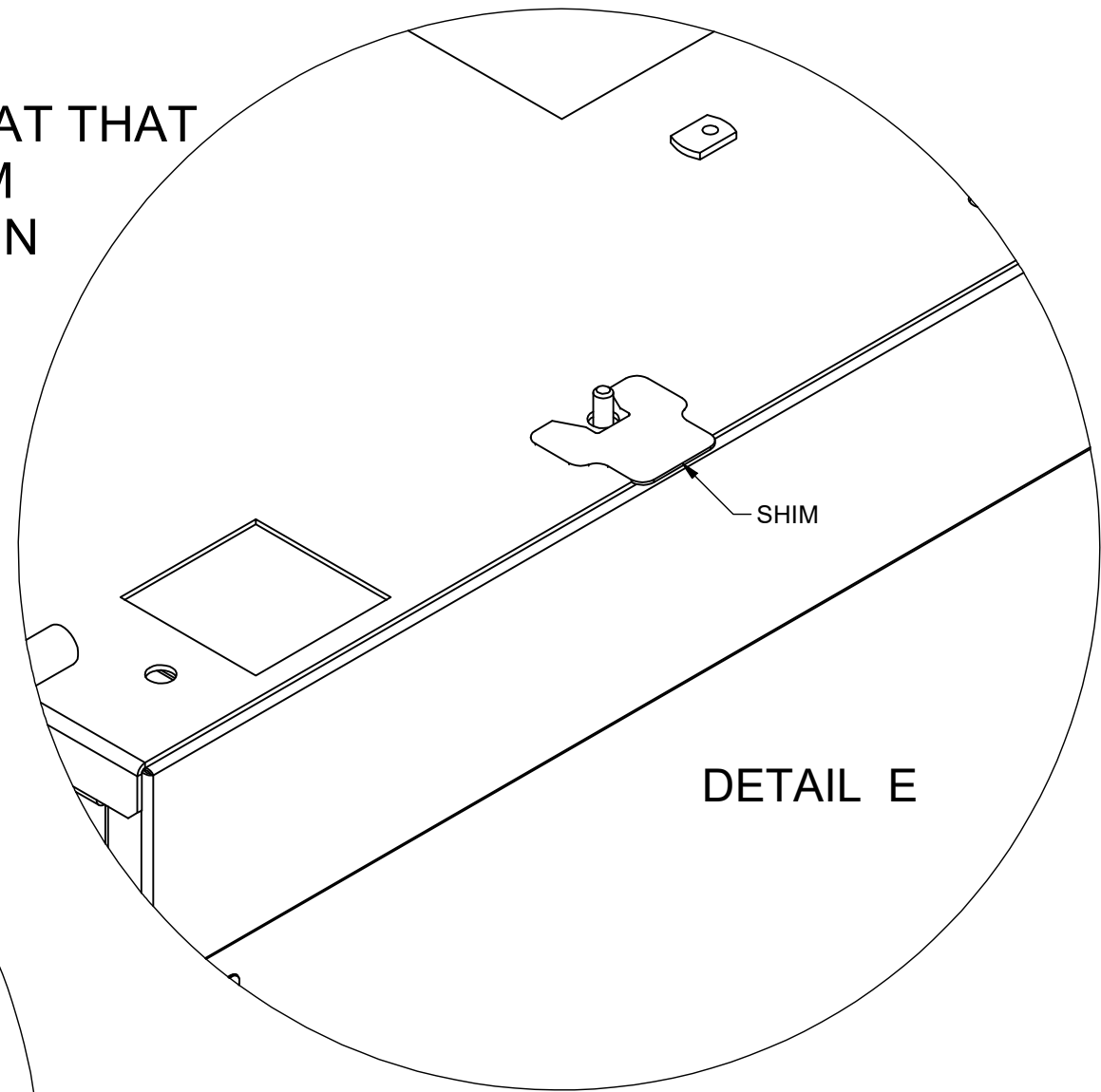
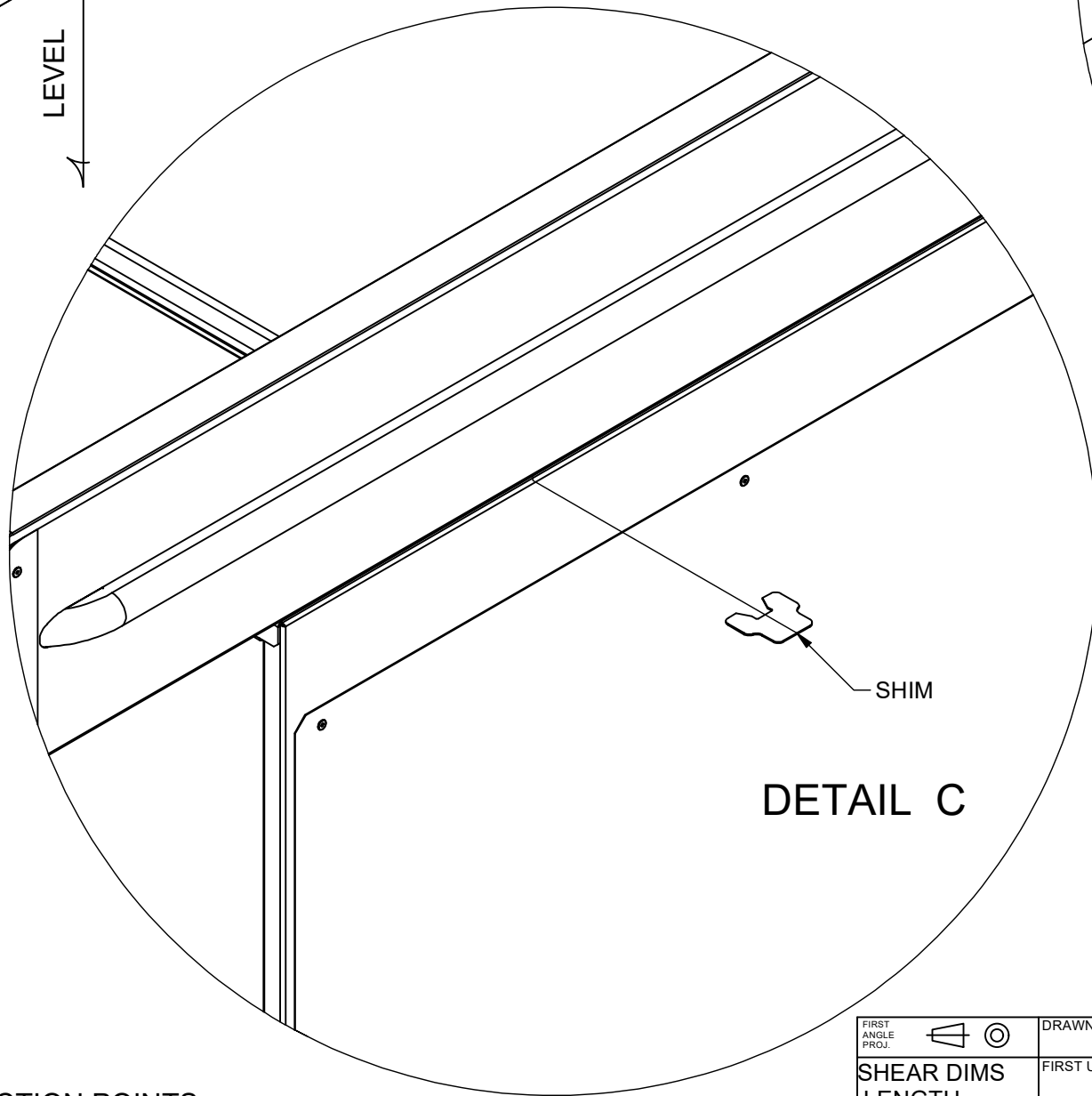
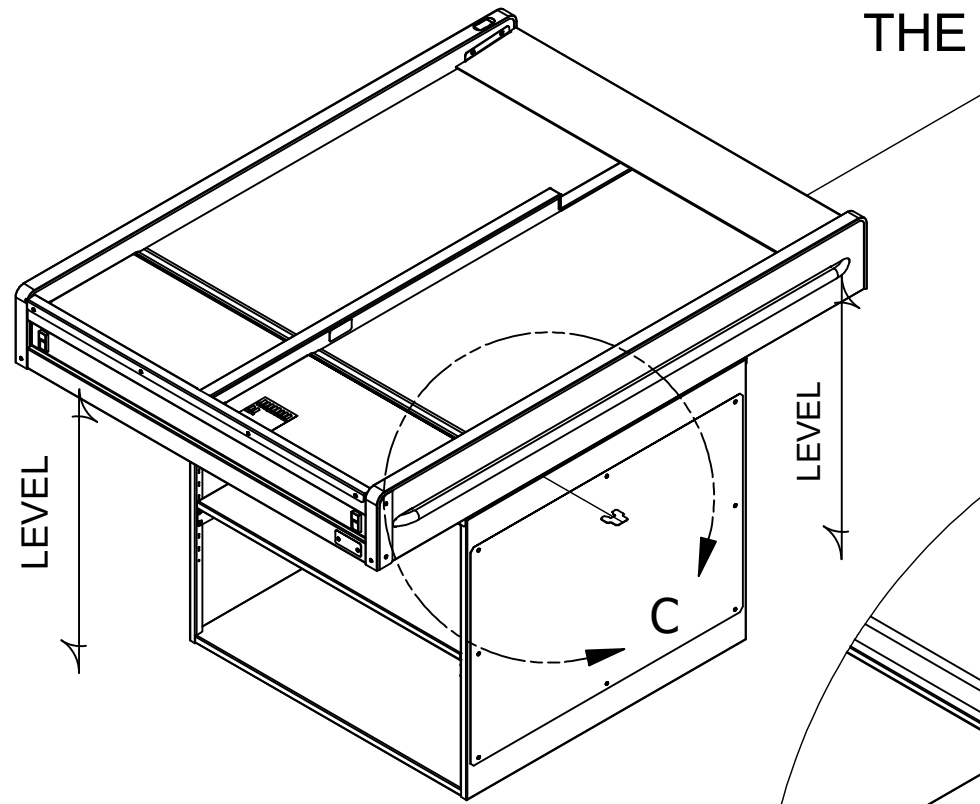


The contents of this drawing are the exclusive property of Pan-Oston, and are for the use of the customer for whom they were created. Any reproduction or disclosure thereof without the written consent of Pan-Oston, is strictly prohibited.

FIRST ANGLE PROJ.	DRAWN	2025-06-24	ALL DIMENSIONS ARE IN MILLIMETERS, ANSI Y14.5 ST. STL. PARTS PAPERSIDE UP UNLESS OTHERWISE NOTED	
SHEAR DIMS	FIRST USED		DESCRIPTION: EZ FLEX INSTALLATION	
LENGTH	OPPOSITE DWG		MATERIAL	DWG NO
N/A	REFERENCE DWG			REV
WIDTH	PAINT ZONE		TITLE: LANE SETUP	
			SHEET 5 OF 7	

LEVELING

SHIMS GET PLACED BETWEEN CABINETS AT THEIR FASTENING POINTS, WHEN INSTALLING LOOSEN THE SCREW AT THAT CONNECTION POINT AND SLIDE THE SHIM OR AS MANY THAT ARE NEEDED BETWEEN THE CABINETS UNTIL THEY ARE LEVEL



PLACE SHIMS BETWEEN CABINETS AT CONNECTION POINTS

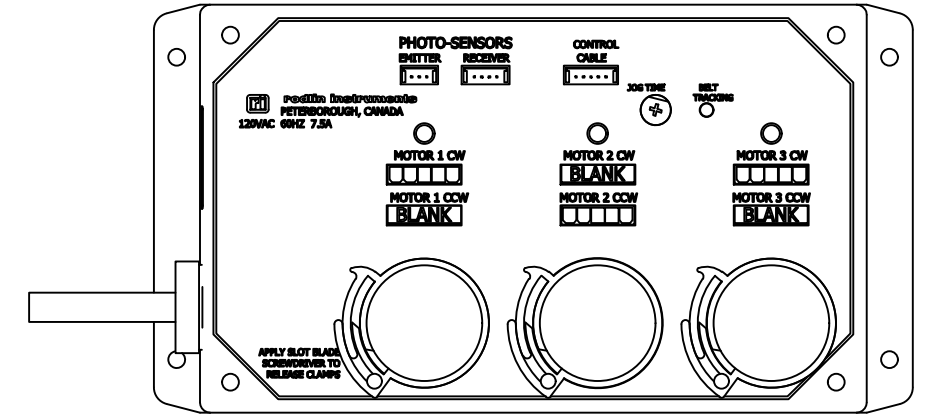
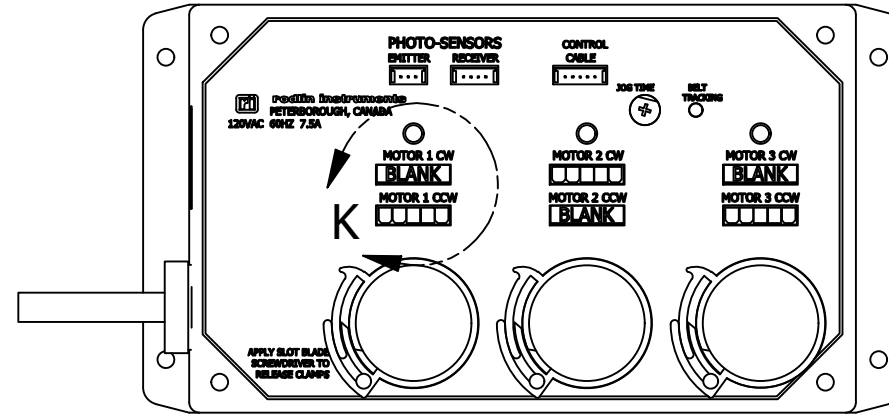
The contents of this drawing are the exclusive property of Pan-Oston, and are for the use of the customer for whom they were created. Any reproduction or disclosure thereof without the written consent of Pan-Oston, is strictly prohibited.

FIRST ANGLE PROJ.		DRAWN	2025-06-24	ALL DIMENSIONS ARE IN MILLIMETERS, ANSI Y14.5 ST. STL. PARTS PAPERSIDE UP UNLESS OTHERWISE NOTED
SHEAR DIMS		FIRST USED		DESCRIPTION: EZ FLEX INSTALLATION
LENGTH		OPPOSITE DWG		MATERIAL
N/A		REFERENCE DWG		DWG NO
WIDTH		PAINT ZONE		REV
			Pan-Oston	TITLE: LANE SETUP
				SHEET 6 OF 7

Trouble Shooting:

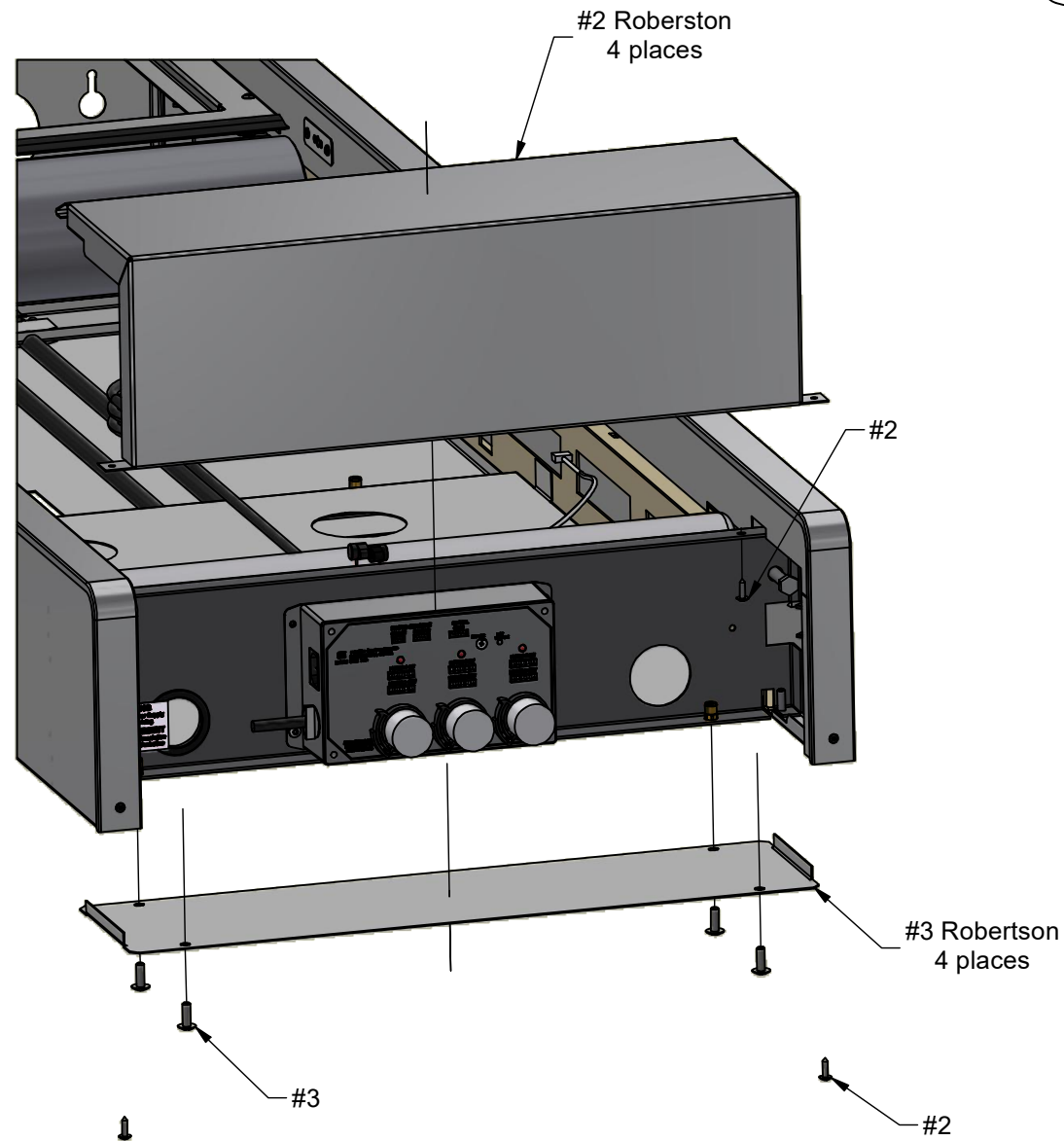
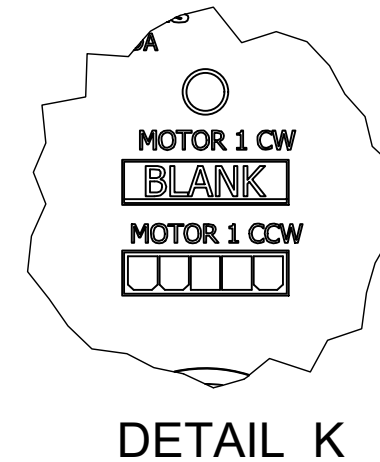
Condition- belt is rotating in wrong direction.
 Nose plate assembly will need to be removed.
 Tools required.
 #2 Robertson
 #3 Robertson

CORRECT MOTOR WIRE CONFIGURATION



Left Hand Lane
 Plug into
 Motor 1 CCW
 Motor 2 CW
 Motor 3 CCW

Right Hand Lane
 Plug into
 Motor 1 CW
 Motor 2 CCW
 Motor 3 CW



The contents of this drawing are the exclusive property of Pan-Oston, and are for the use of the customer for whom they were created. Any reproduction or disclosure thereof without the written consent of Pan-Oston, is strictly prohibited.

FIRST ANGLE PROJ.	DRAWN	2025-01-30	ALL DIMENSIONS ARE IN MILLIMETERS, ANSI Y14.5 ST. STL. PARTS PAPERSIDE UP UNLESS OTHERWISE NOTED
SHEAR DIMS	FIRST USED		DESCRIPTION:
LENGTH	M-16002-6L-7		EZ FLEX INSTALLATION
N/A	OPPOSITE DWG		MATERIAL
	REFERENCE DWG	Pan-Oston	DWG NO
WIDTH	PAINT ZONE		REV
		TITLE:	
		M-LANE TRI-BELT	SHEET 7 OF 7